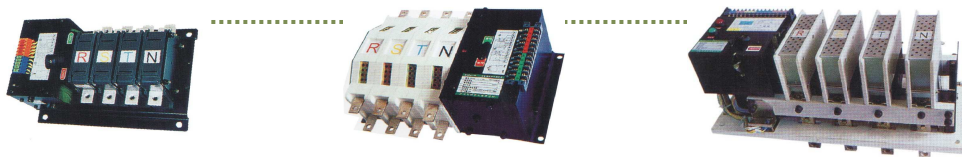


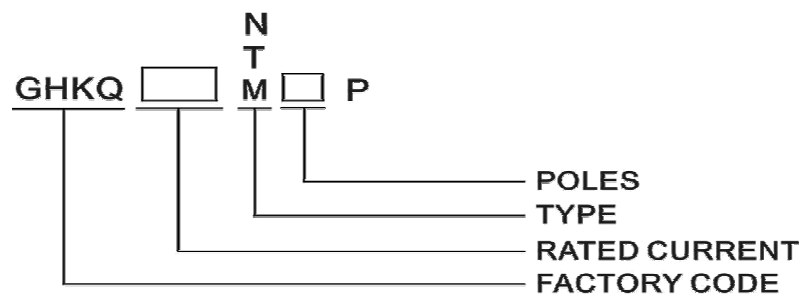
XTANTIS ATS AUTOMATIC TRANSFER SWITCH

DESCRIPTION

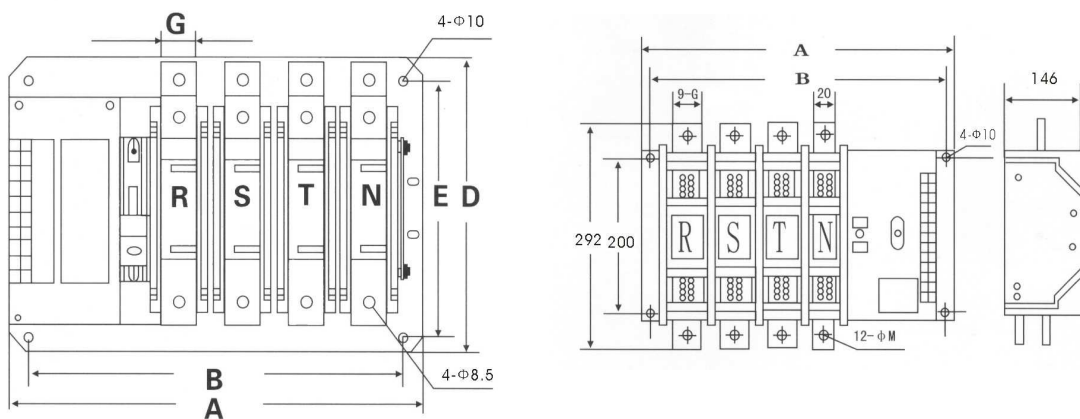
Automatic Transfer Switch units are utilised for operating voltages up to 400VAC, and may transfer with load. The ATS rated current series is 40A, 63A, 80A, 125A, 160A, 250A, 400A, 630A, 800A, 1000A, 1250A, 1600A, 2000A, is divided into two types with 3 poles and 4 poles. The ATS of 40~125A is defined with 'N'; 160~400 is defined with 'T'; 630A~2000A is defined with 'M'.



ORDER FORMAT



CASE DIMENSIONS



CASE AND DIMENSIONS

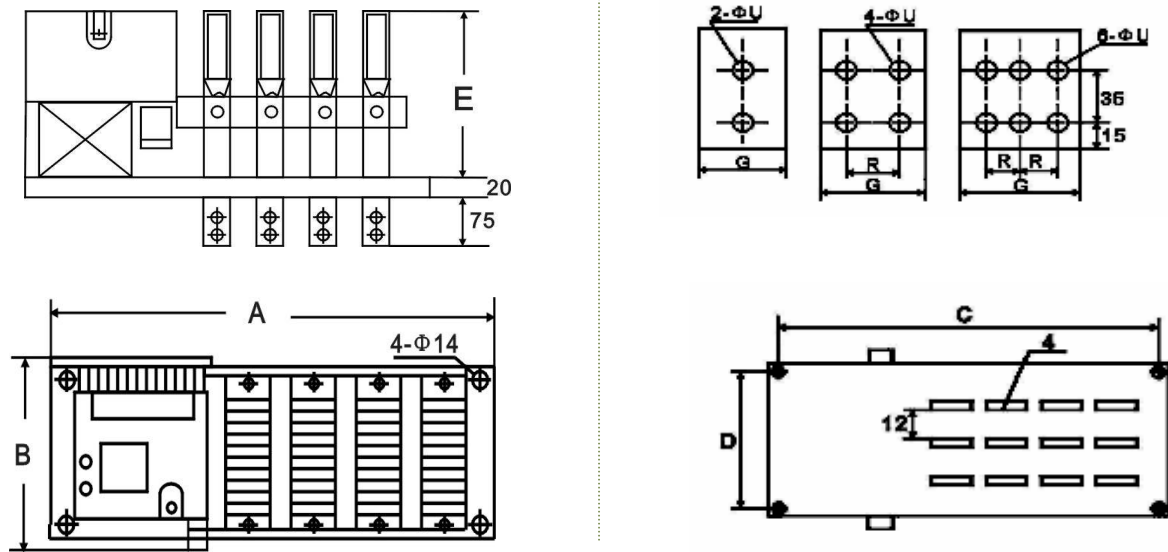
Type	Q40N	Q63N	Q125N
A	265		
B	235		
D	186		
E	165		
G	20		

TYPE		Q40N	Q63N	Q125N
Rated Current (A)		40	63	125
Coil Current (A)		3.5		
Max Instantaneous current (kA)		5		
Times	Machine	8000		
	Electric	3000		
Weight (kg)		5.5		
Poles		4P		
Max operating cycle (times/second)		5		

Type	Q160T	Q250T	Q400T
A	371	402	
B	352	382	
G	20	30	
M	9	11	

TYPE		Q160	Q250T	Q400T
Rated Current(A)		160	250	400
Coil Current(A)		7		
Max Instantaneous current (kA)		10		
Times	Machine	6000		
	Electric	2000		
Weight (kg)		18.5	20	21.5
Poles		4P		
Max operating cycle (times/second)		10		

CASE AND DIMENSIONS



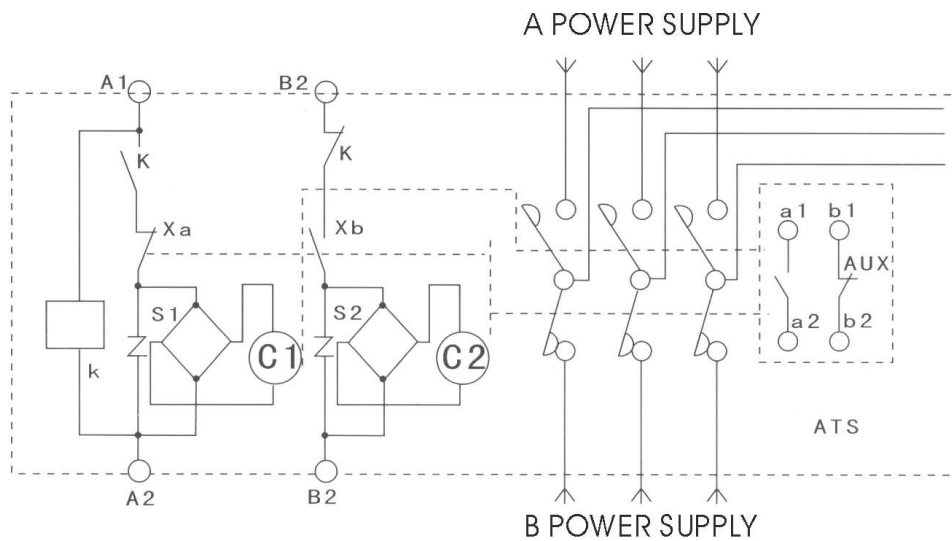
TYPE		Q630M	Q800M	Q1000M	Q1250M	Q1600M	Q2000M
RATED CURRENT(A)		630	800	1000	1250	1600	2000
COIL CURRENT(A)		16					
MAX INSTANTANEOUS CURRENT(KA)		15	18	20	25	32	40
TIMES	MACHINE	2500					1500
	ELECTRIC	500					500
WEIGHT(KG)		42.5	46	48	57	67	85.5
POLES		4P					
MAX OPERATING CYCLE (TIMES/SECOND)		15	20	25	25	25	50

CASE AND DIMENSIONS

TYPE	Q630M	Q800M	Q1000M	Q1250M	Q1600M	Q2000M
A	600				750	860
B	280					
C	560				710	820
D	210					
E	245					
G	30	40	45	55	75	100
R				30	40	30
U	12	14				

INNER CONNECTING DRAWING

“N” OR “T” Connecting



“N” OR “T” Connecting

